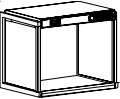
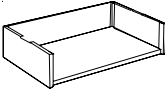
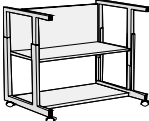
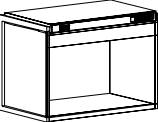
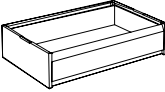
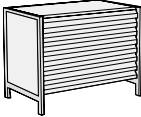
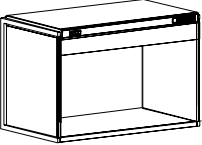
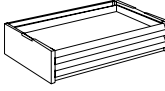
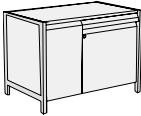
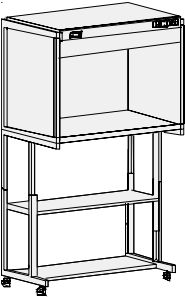
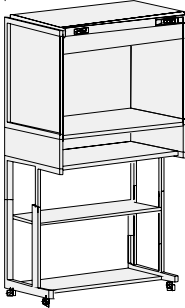
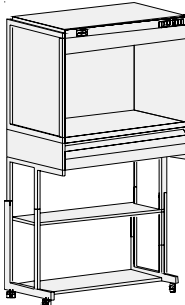
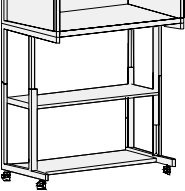
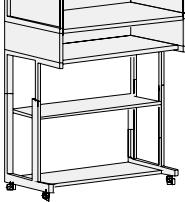
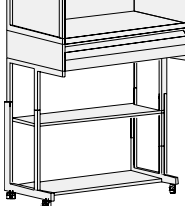

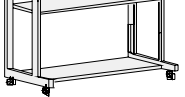
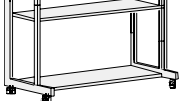
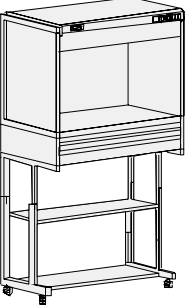
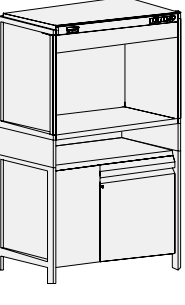
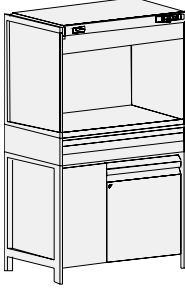
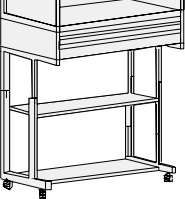
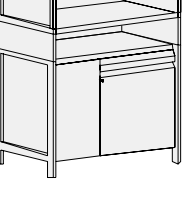
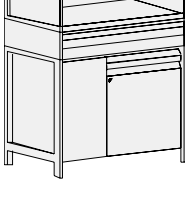
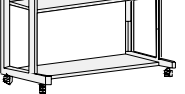


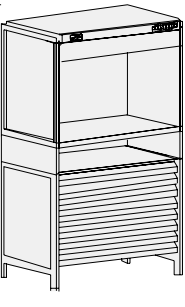
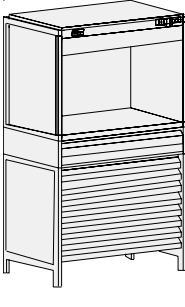
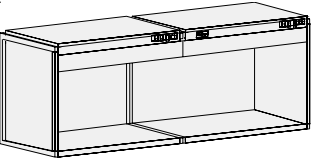
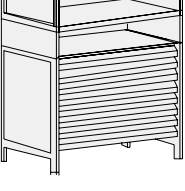
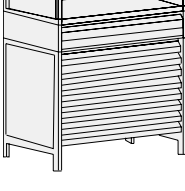
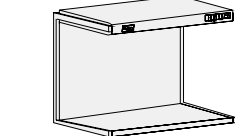
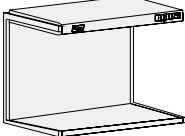
CMB Ordering Guide

Choose one of the package options shown, or....create your own!

CMB Models	Table Risers/Flat File Drawers Height: 8"	Floor Stands & Storage Height: 32"
 Model CMB-2028 (20" X 28" Viewing Area)	 Model TS-2028 Model TS-2540 Model TS-3052	 Model FS-2028 Model FS-2540 Model FS-3052 <i>Table riser optional Height is adjustable 32" - 48"</i>
 Model CMB-2540 (25" X 40" Viewing Area)	 Model 1F-2028 Model 1F-2540 Model 1F-3052	 Model FD-2540* Model FD-3052* <i>Requires table riser option</i>
 Model CMB-3052 (30" X 52" Viewing Area)	 Model 2F-2028 Model 2F-2540 Model 2F-3052	 Model SC-2540 Model SC-3052 <i>Requires table riser option</i>

 C28-A Model: CMB-2028/FS	 C28-B Model: CMB-2028/FS TS-2028	 C28-C Model: CMB-2028/FS 1F-2028
 C40-A Model: CMB-2540/FS	 C40-B Model: CMB-2540/FS TS-2540	 C40-C Model: CMB-2540/FS 1F-2540
 C52-A Model: CMB-3052/FS	 C52-B Model: CMB-3052/FS TS-3052	 C52-C Model: CMB-3052/FS 1F-3052

 C28-D Model: CMB-2028/FS 2F-2028	 C40-E Model: CMB-2540 TS-2540 SC-2540	 C40-F Model: CMB-2540 1F-2540 SC-2540
 C40-D Model: CMB-2540/FS 2F-2540	 C52-E Model: CMB-3052 TS-3052 SC-3052	 C52-F Model: CMB-3052 1F-3052 SC-3052
 C52-D Model: CMB-3052/FS 2F-3052		

 C40-G Model: CMB-2540 TS-2540 FD-2540*	 C40-H Model: CMB-2540 1F-2540 FD-2540*	 C82-I Model: CMB-2582 (2 x CMB-2540)
 C52-G Model: CMB-3052 TS-3052 FD-3052*	 C52-H Model: CMB-3052 1F-3052 FD-3052*	 C106-I Model: CMB-30106 (2 x CMB-3052)
		 CMB shown with side walls removed.

*Please add crating fee charge of \$125.00

GTI GmbH Germany

Bahnhofsweg 30 | D-24955 Harrislee | Tel: +49 461 9957 6020 | Fax: +49 461 9902 9382 | Web: www.gtigmbh.com